

Specification Status: Released

Operating Conditions at 20°C:

Maximum Continuous Operating Voltage (V_{MCO}): 100V_{DC}
Maximum Interrupt Current (I_{INT}): 10A_{RMS}

Fault Ratings at 20°C:

250V_{RMS}, 3A, 10 applications

Additional Info at 20°C:

- Resistance matched: N/A
- Lightning withstand: 1.5 kV per ITU-T K.20, K.21
- Helps equipment meet ITU-T K.20, K.21

Lead Material:

22 AWG Sn-Plated Copper (0.65 mm [0.026"] nominal diameter)

Marking:

None

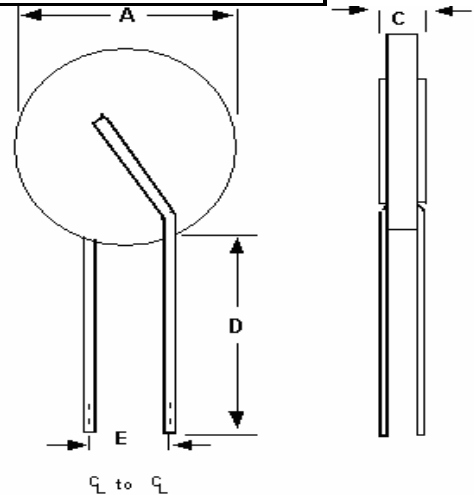


TABLE I. DIMENSIONS:

	A		C		D		E
	MIN	MIN	MAX	MAX	MAX	MAX	NOM
mm:	--	6.5	--	3.0	4.7	--	5.0
in:*	--	(0.26)	--	(0.12)	(0.19)	--	(0.20)

*Rounded off approximation

TABLE II. PERFORMANCE RATINGS @ 20°C:

HOLD CURRENT (A)	TRIP CURRENT (A)	RESISTANCE (Ω)			TIME TO TRIP(Sec) @ 3A		OPERATING TEMPERATURE (°C)		TRIPPED POWER DISSIPATION (W) TYP @ 100V _{DC}
		R MIN	R MAX	R _{1 MAX} *	TYP	MAX	MIN	MAX	
0.183	0.685	0.8	2.0	3.4	0.55	1.8	-40	85	0.9

*Post Trip Resistance measured after one hour.

TABLE III. APPLICABLE PART DESCRIPTIONS:

PART DESCRIPTION	PCN # (INTERNAL ONLY)	PACKAGING TYPE	NOTES
TRF250-183US	RF0771-000	Bulk	N/A

Agency Recognitions:
Reference Documents:
Precedence:
Effectivity:
CAUTION:

UL (File #E74889), CSA (File #78165C), TUV
Raychem PS300, ITU-T K.20, K.21
This specification takes precedence over documents referenced herein.
Reference documents shall be the issue in effect on the date of invitation for bid.
Operation beyond the rated voltage or current may result in rupture, electrical arcing or flame.

Materials Information

ROHS Compliant

ELV Compliant

Pb-Free

